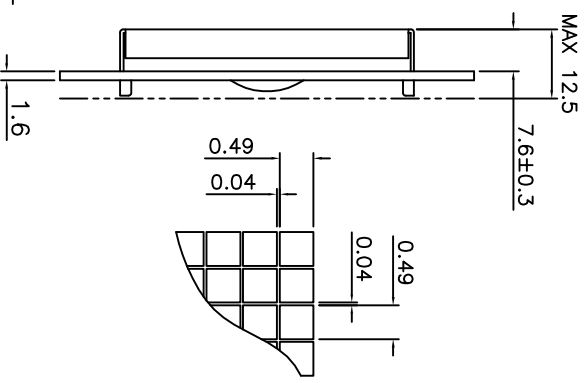


21, 23: LEDA (+5V)
 24: NC
 22, 25: LEDK (0V)



PIN	SYMBOL
1	VSS
2	VDD
3	V0
4	RS
5	R/W
6	E
7	/RST
8	DB0
9	DB1
10	DB2
11	DB3
12	DB4
13	DB5
14	DB6
15	DB7
16	CS1
17	CS2
18	CS3
19	CS4
20	VOUT

Specification:
 VDD=5V.
 Control IC: S6B0108.
 Operating temp.: -20~70°C
 Storage temp.: -30~80°C
 Unspecified tolerance is ±0.3mm

UNIT:mm		Drawn By	Checked By	Approved By
DESCRIPTION	COB MODULE			
PART NO.	DG24064A			
DRAWING NO.				
VER	REVISED DESCRIPTION	DATE	NAME	
A	1ST	2011/10/25		